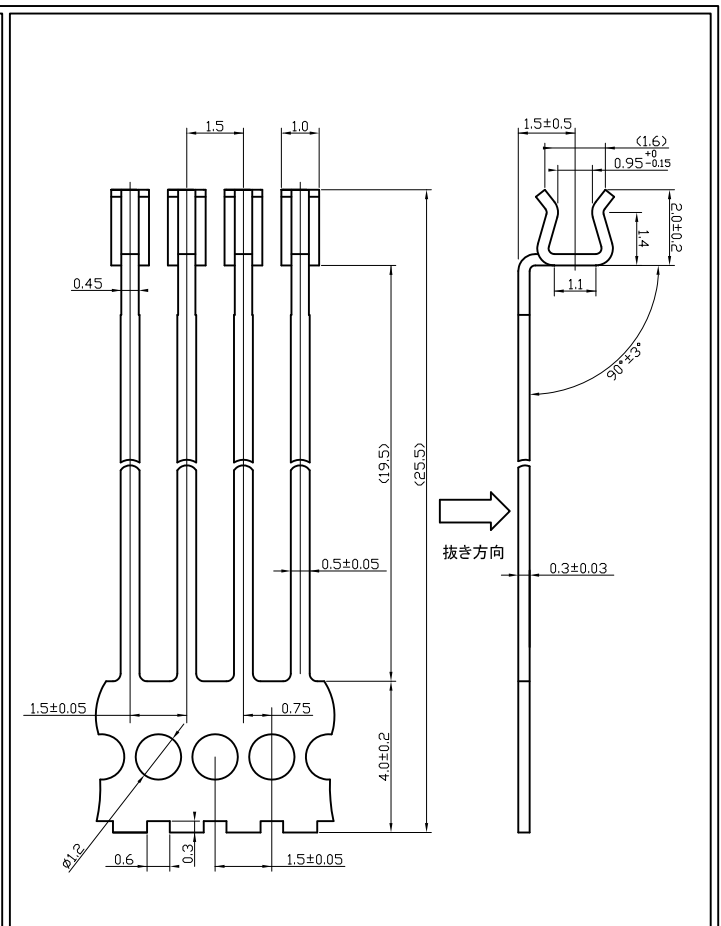
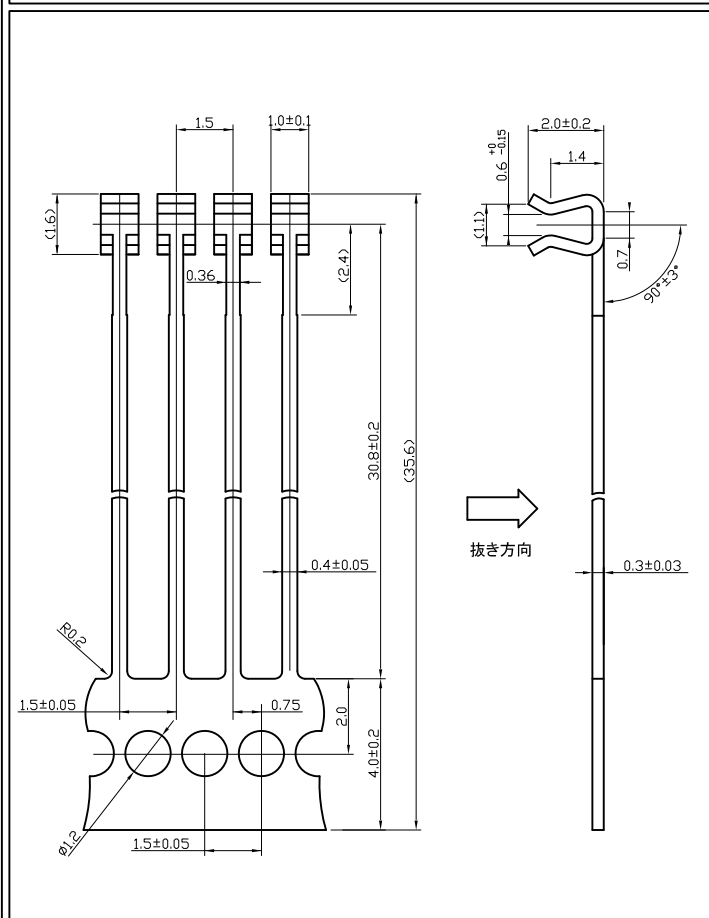


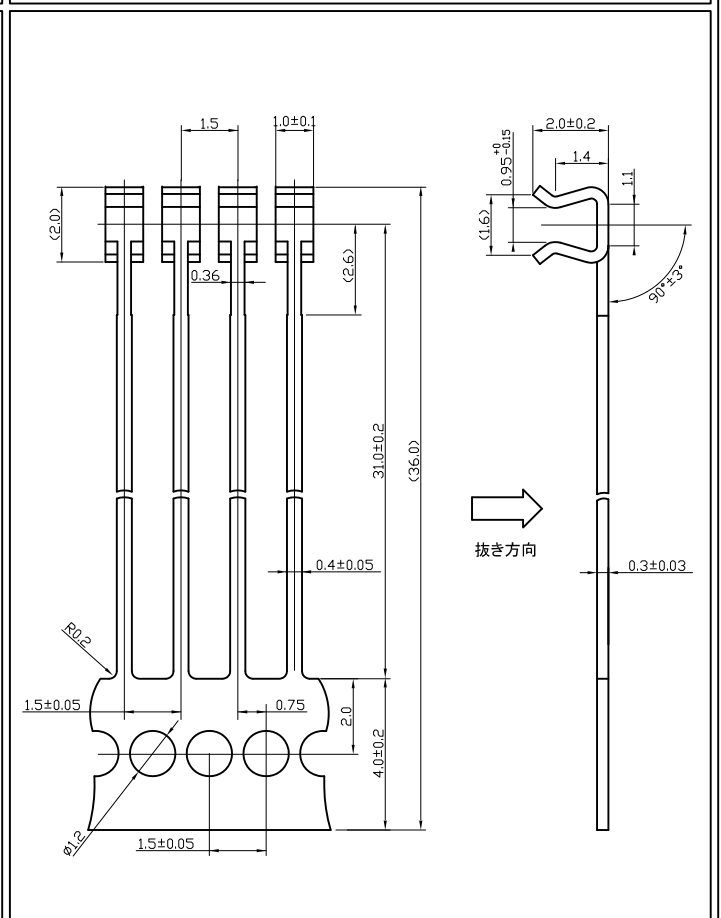
LY15-19.3



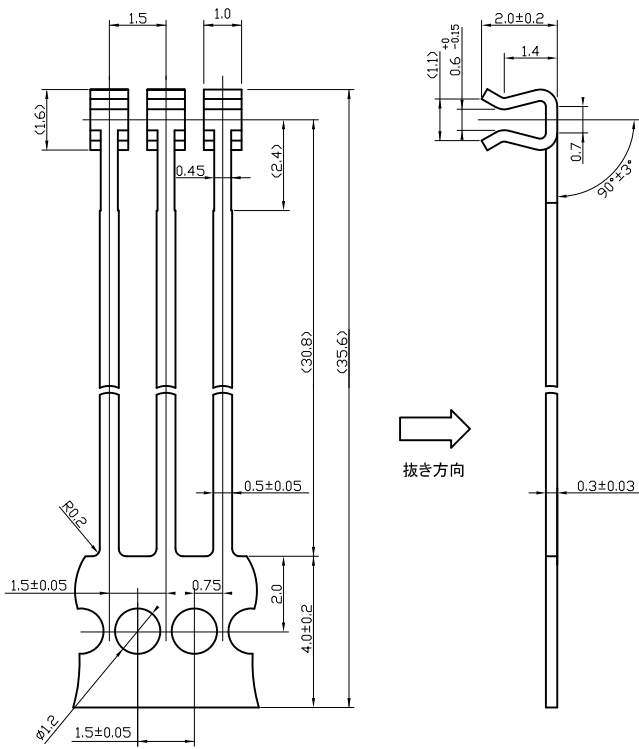
LY15-20



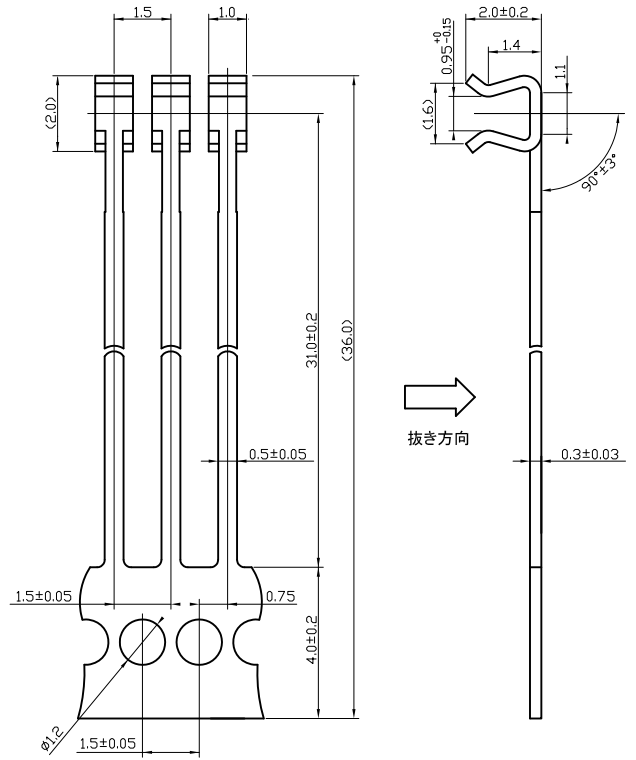
HL15-30-0.7



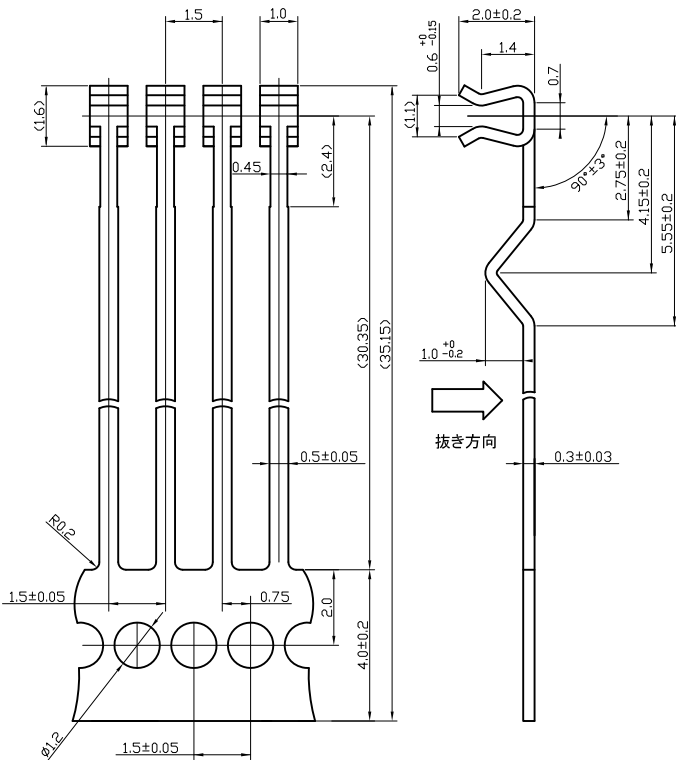
HL15-30



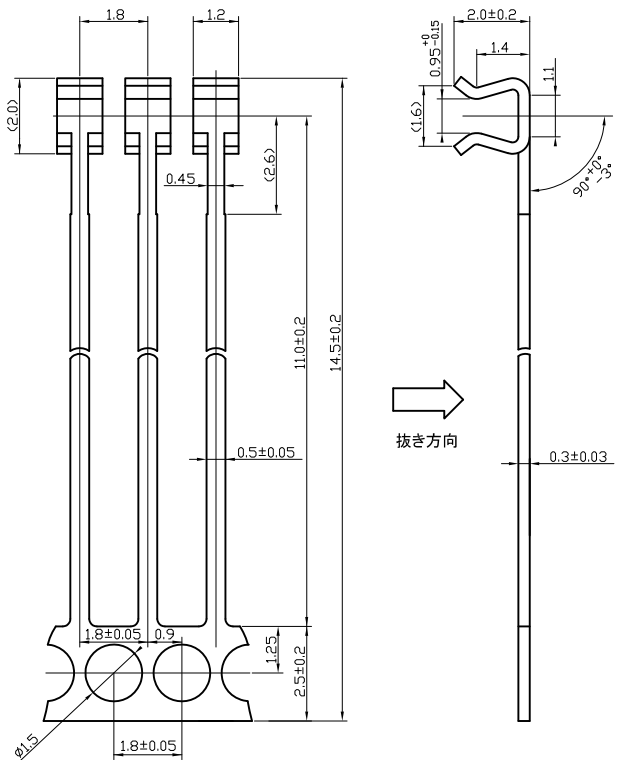
L15-30-0.7



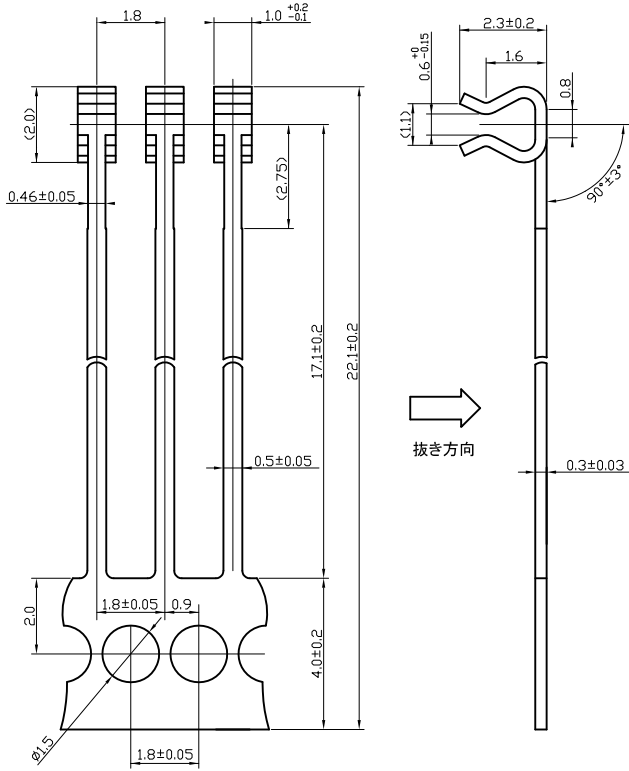
L15-30



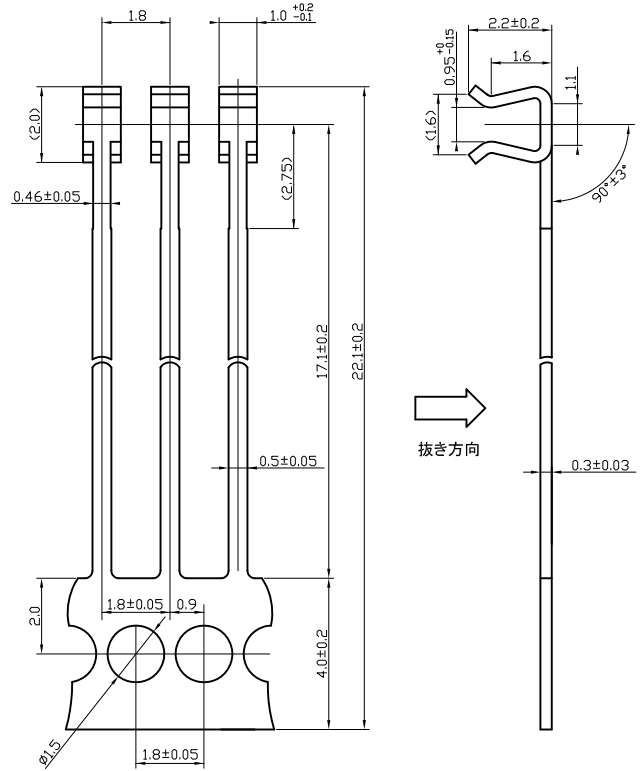
L15-30F-0.7



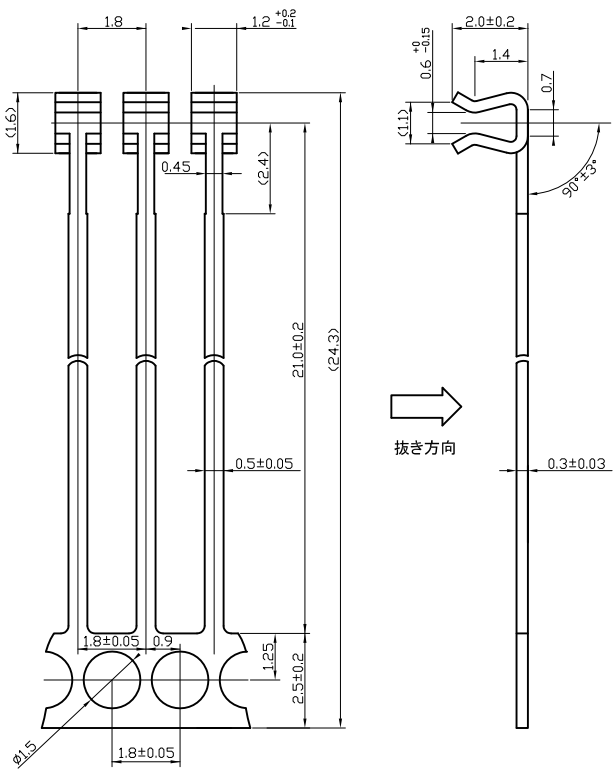
L18-10



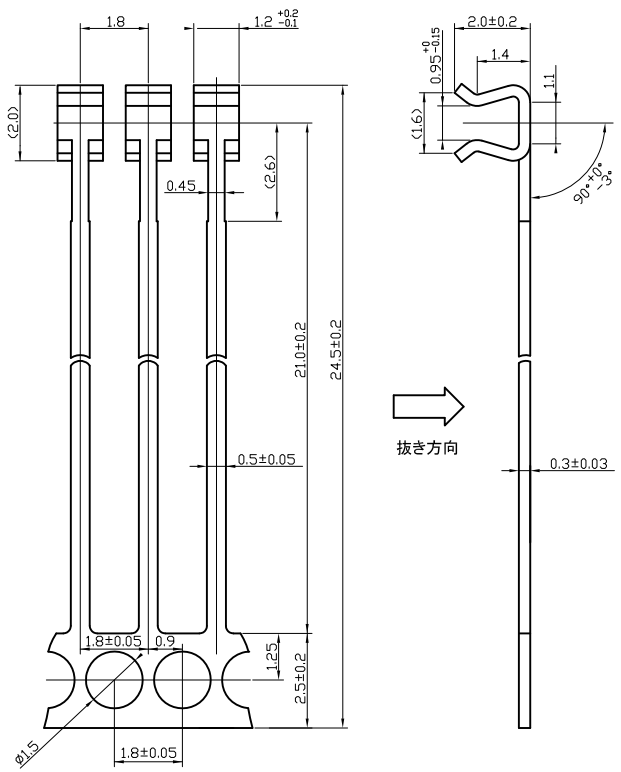
L18-17-0.7



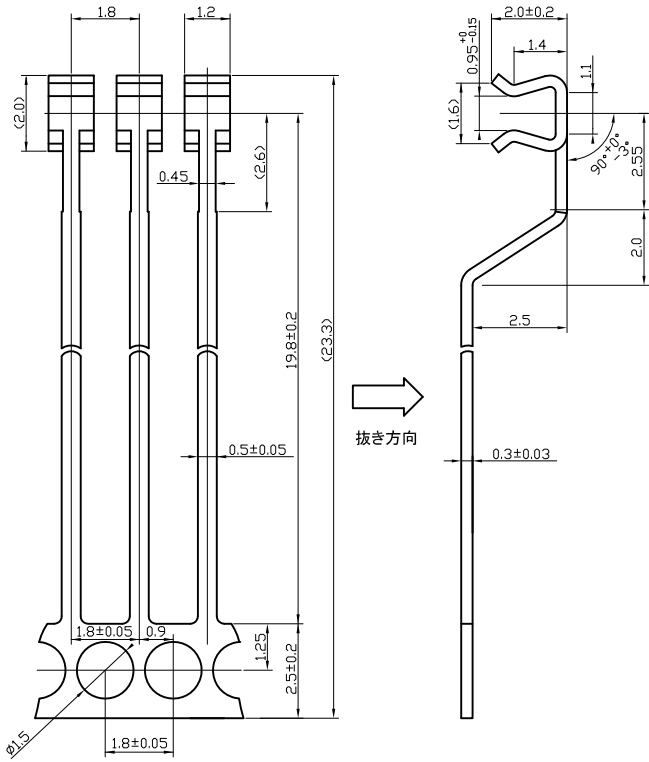
L18-17



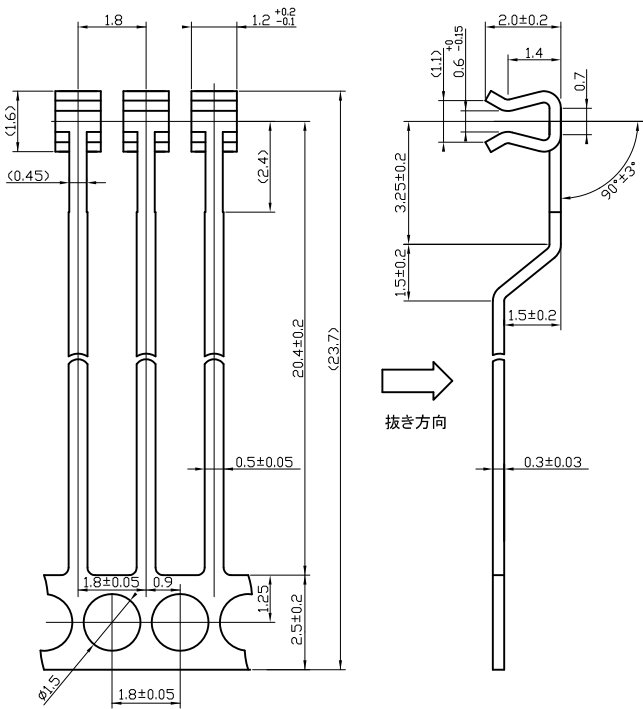
HL18-20-0.7



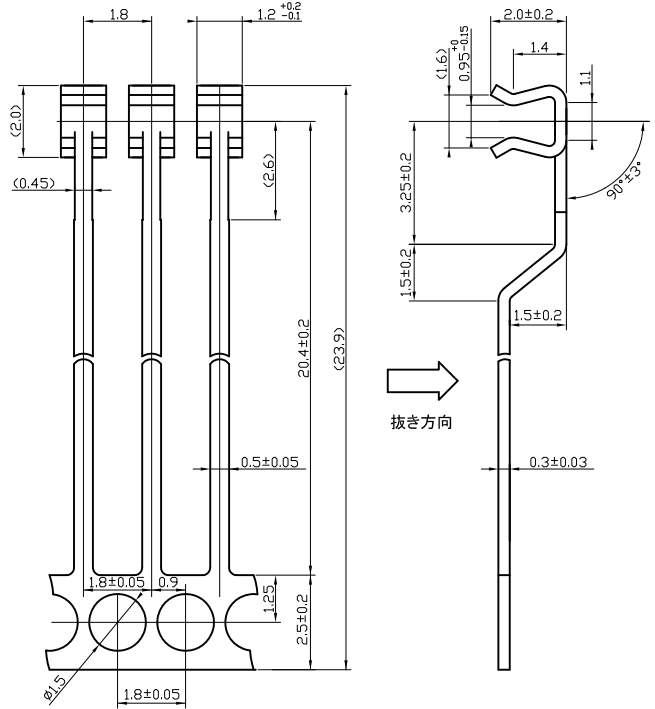
HL18-20



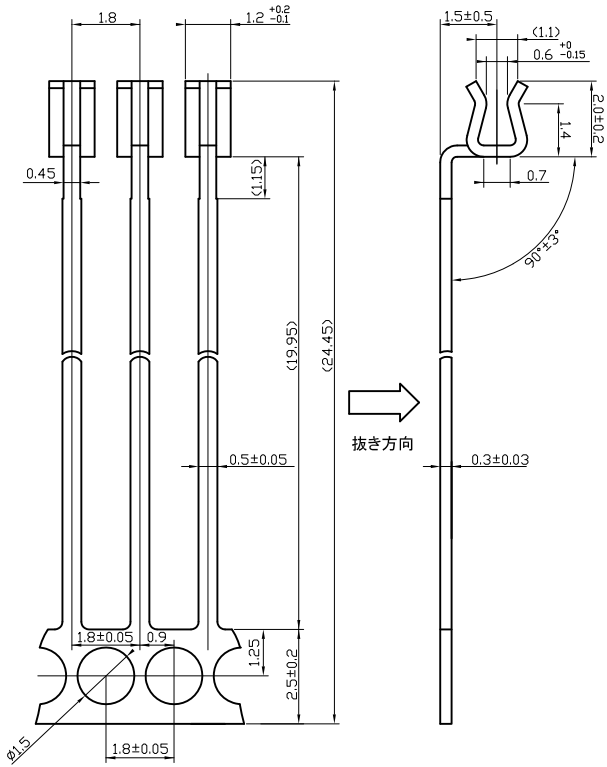
HL18-20G



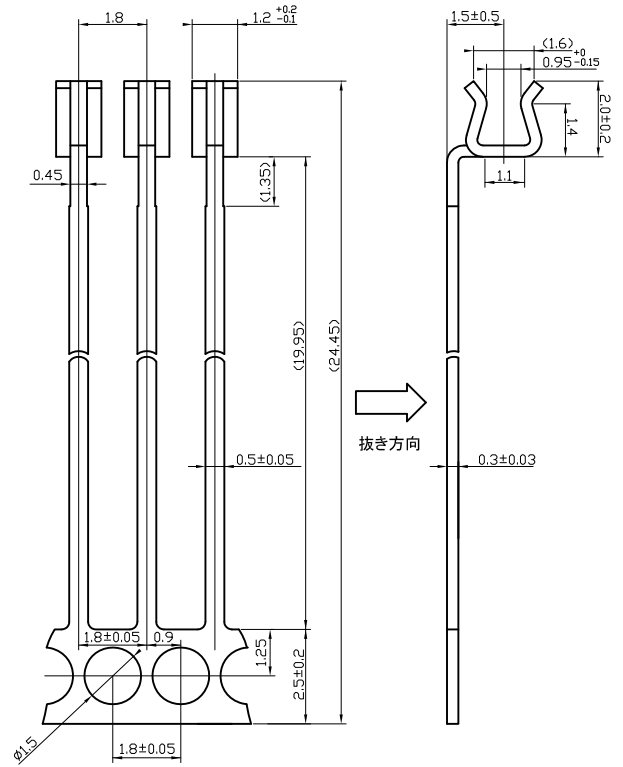
HLC18-20-0.7



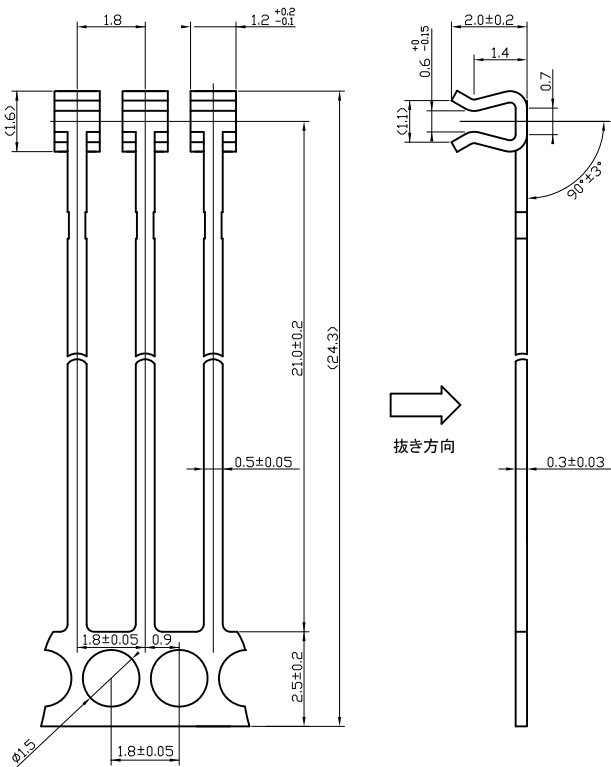
HLC18-20



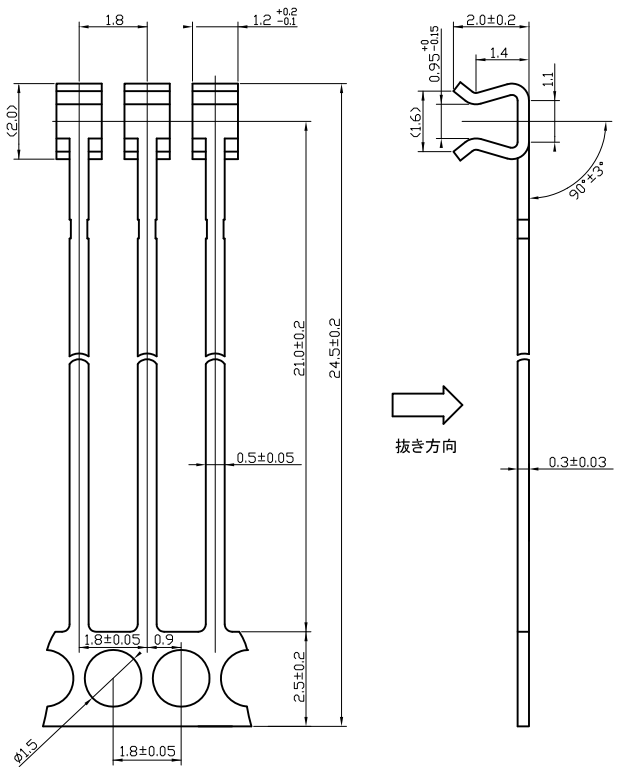
HLY18-20-0.7



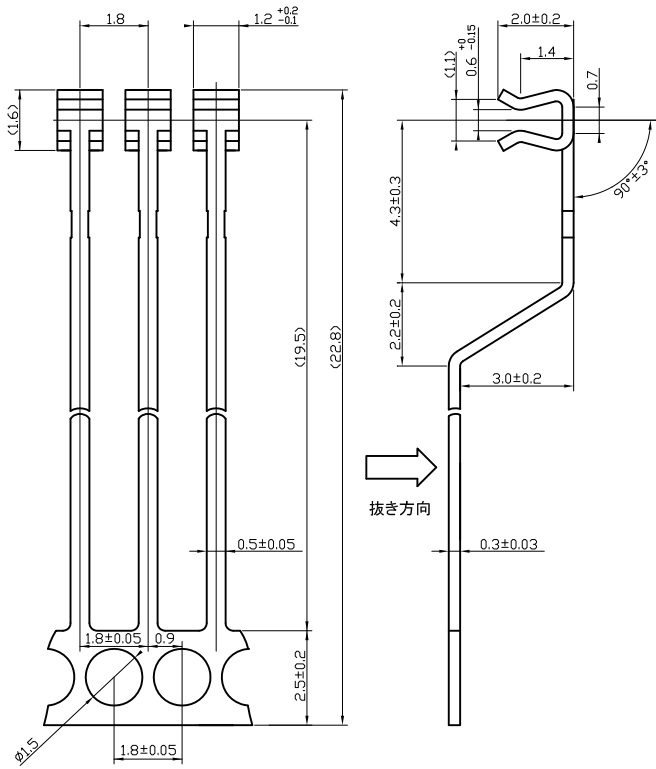
HLY18-20



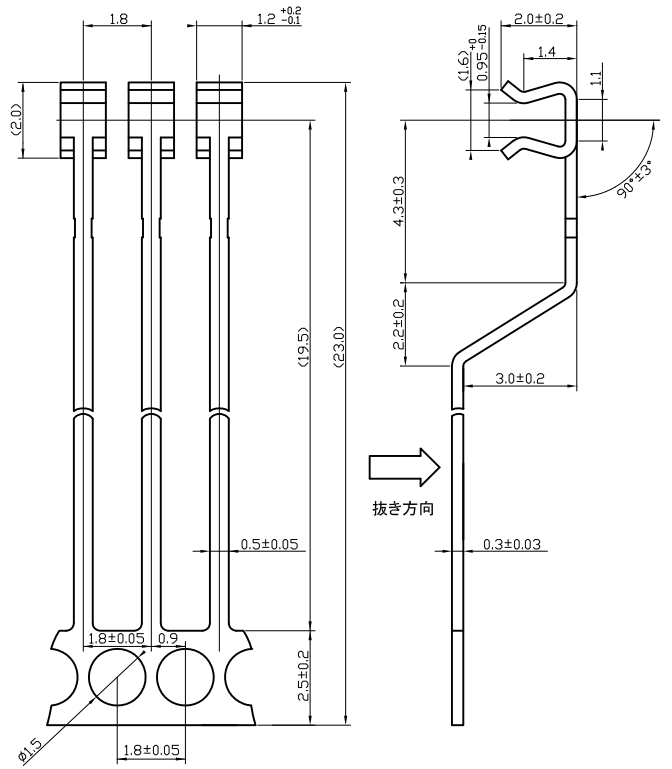
L18-20-0.7



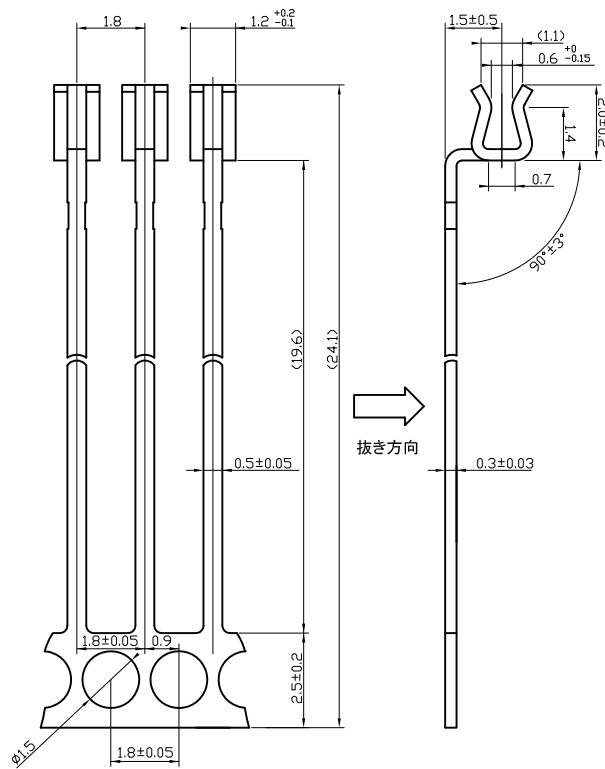
L18-20



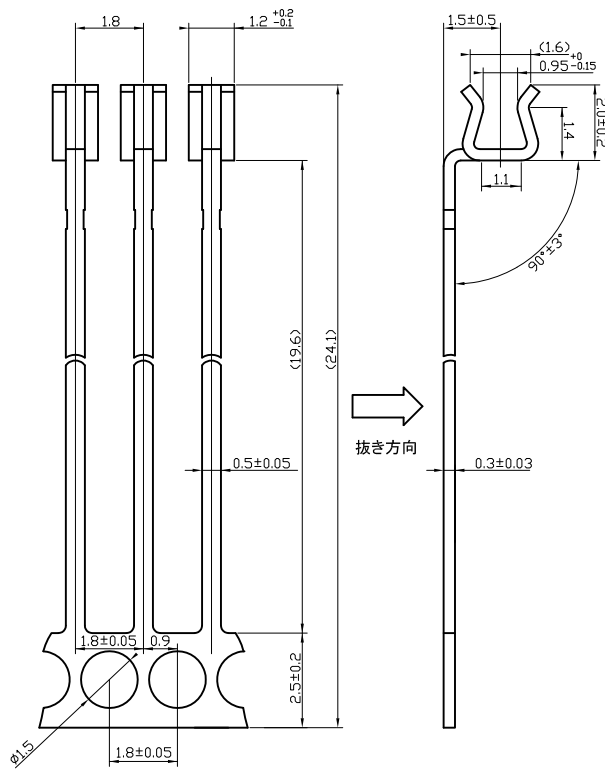
LC18-20-0.7



LC18-20

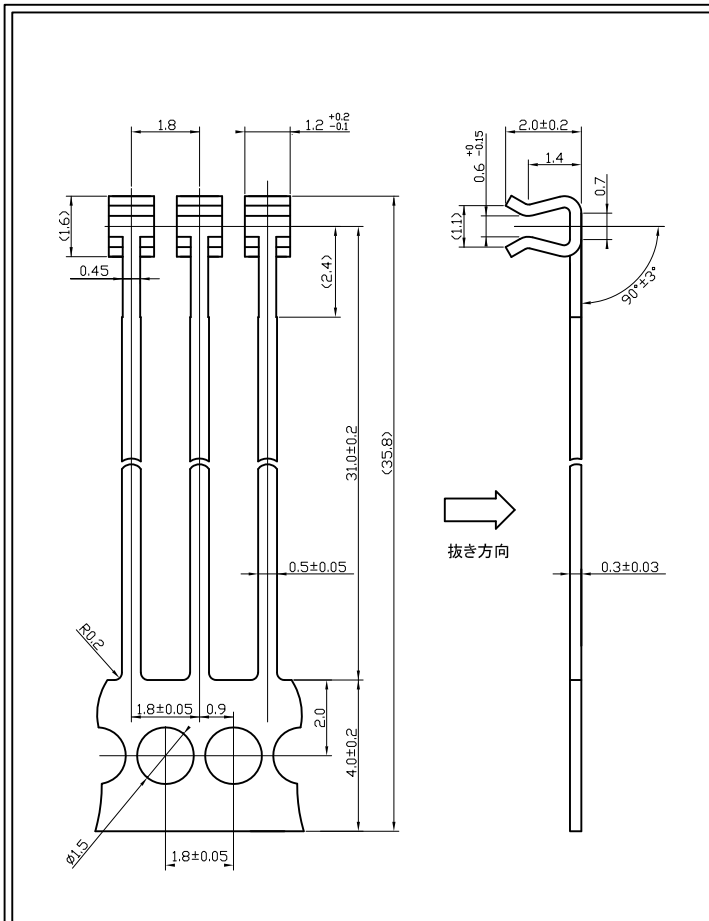


LY18-20-0.7

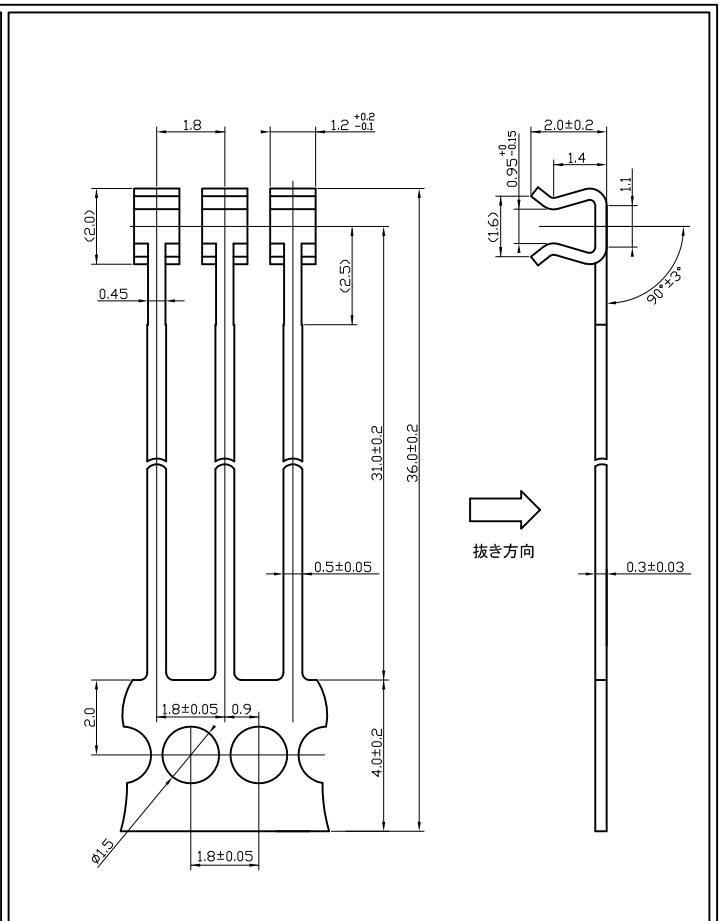


LY18-20

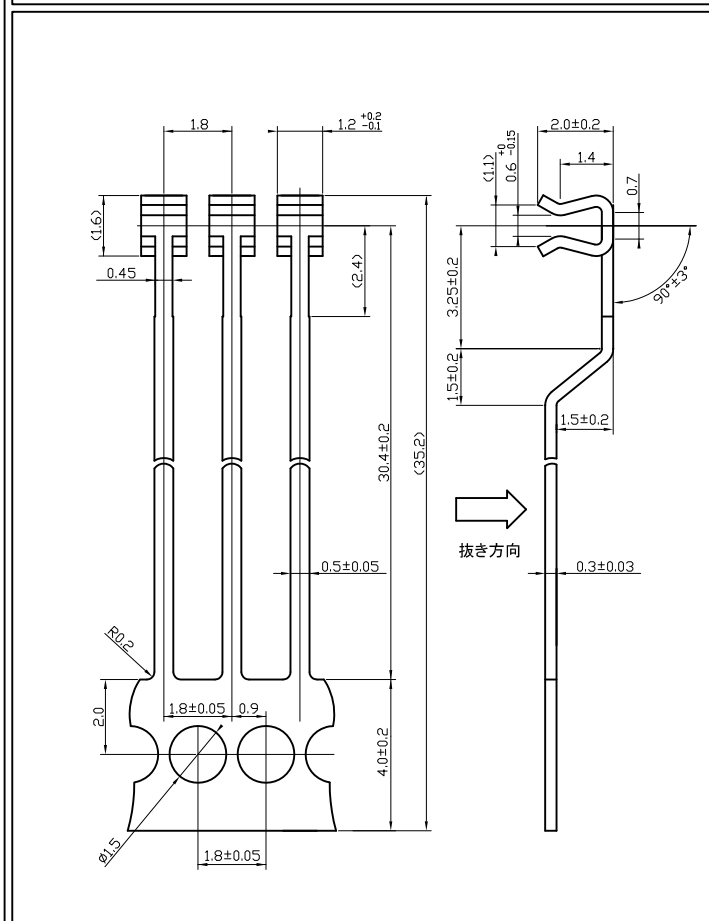




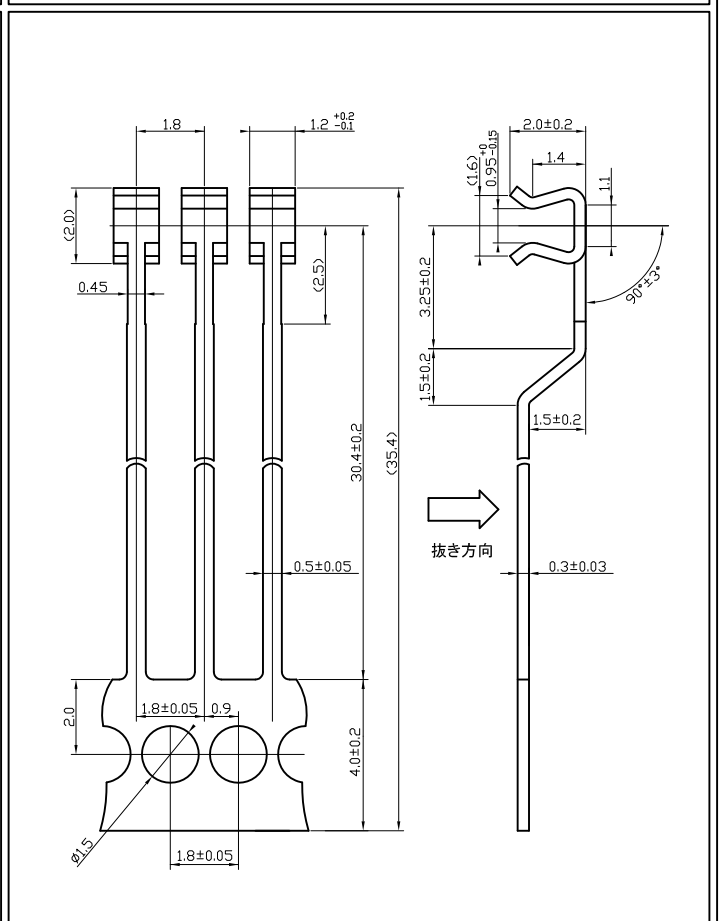
L18-30-0.7



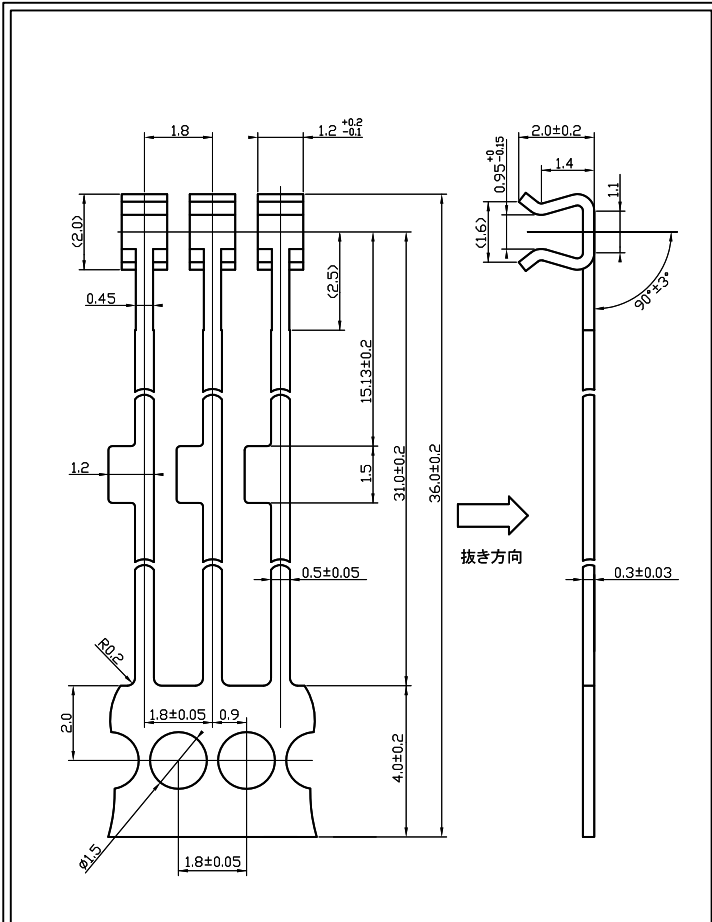
L18-30



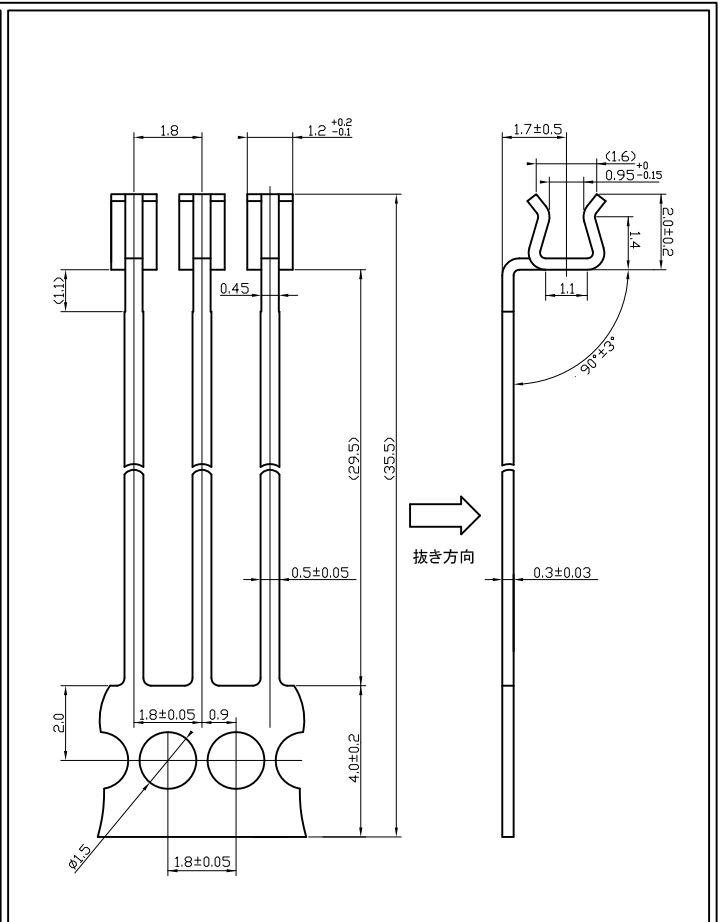
LC18-30-0.7



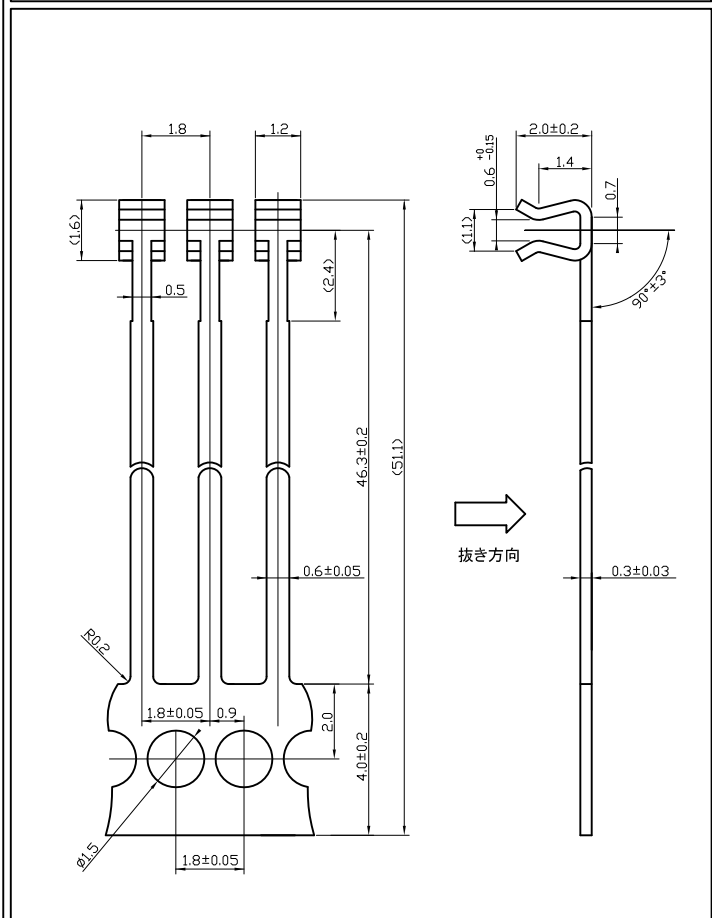
LC18-30



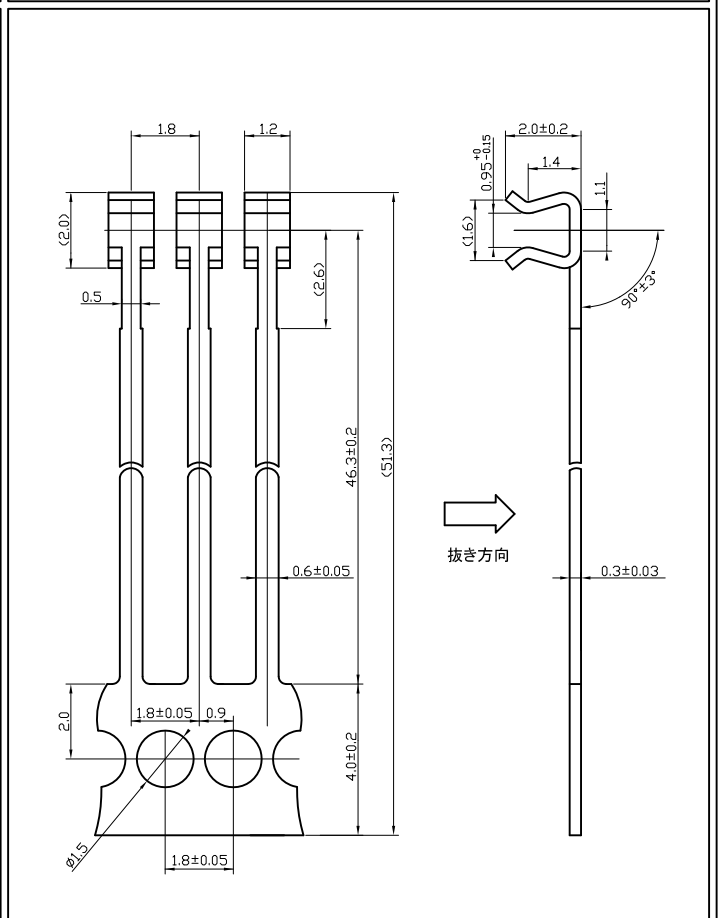
LS18-30



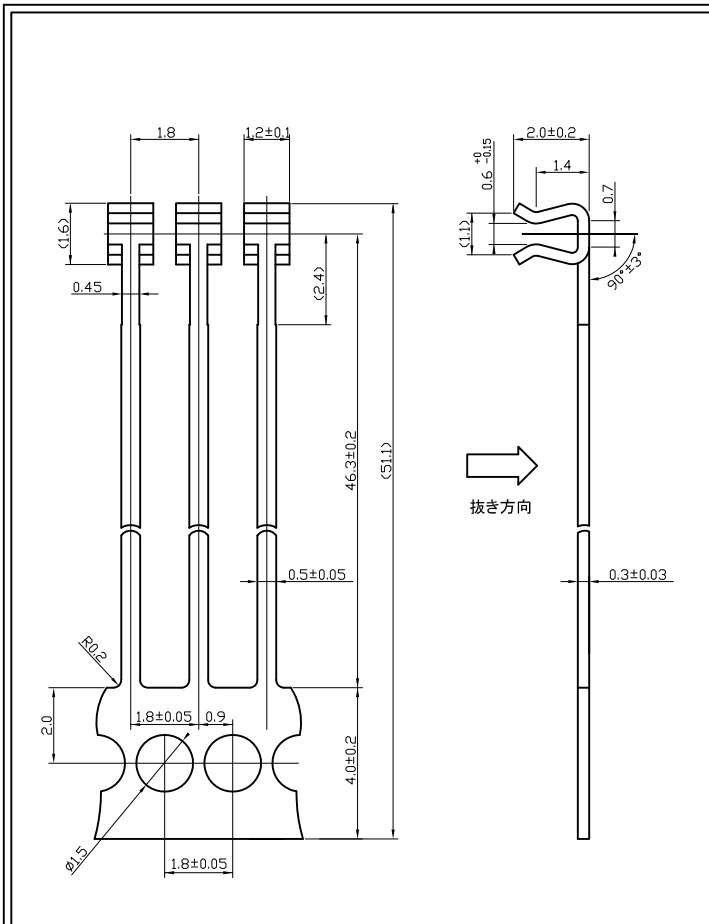
LY18-30



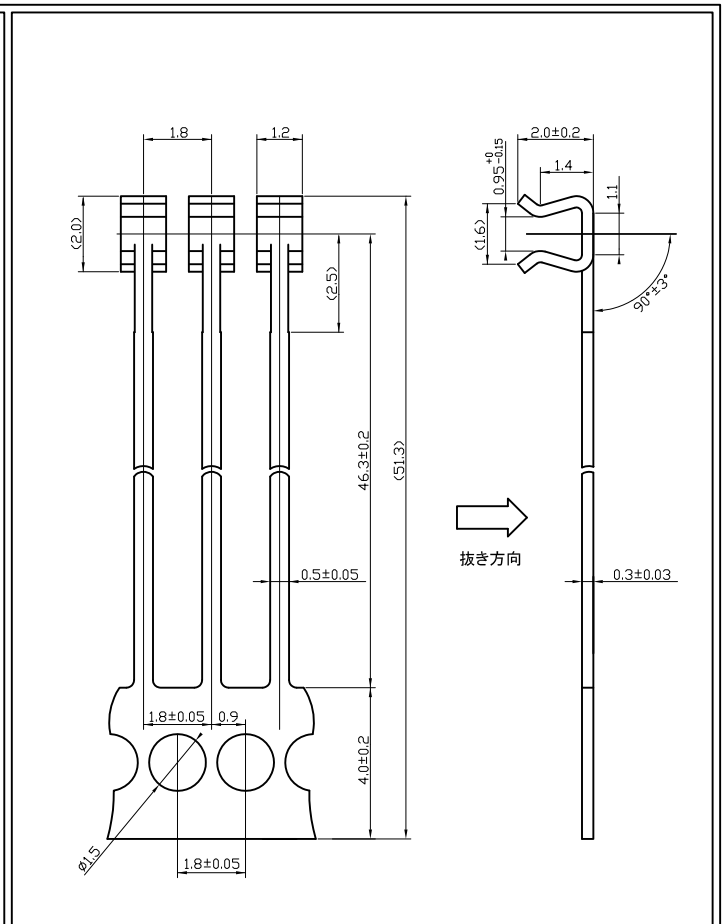
L18-45-0.7



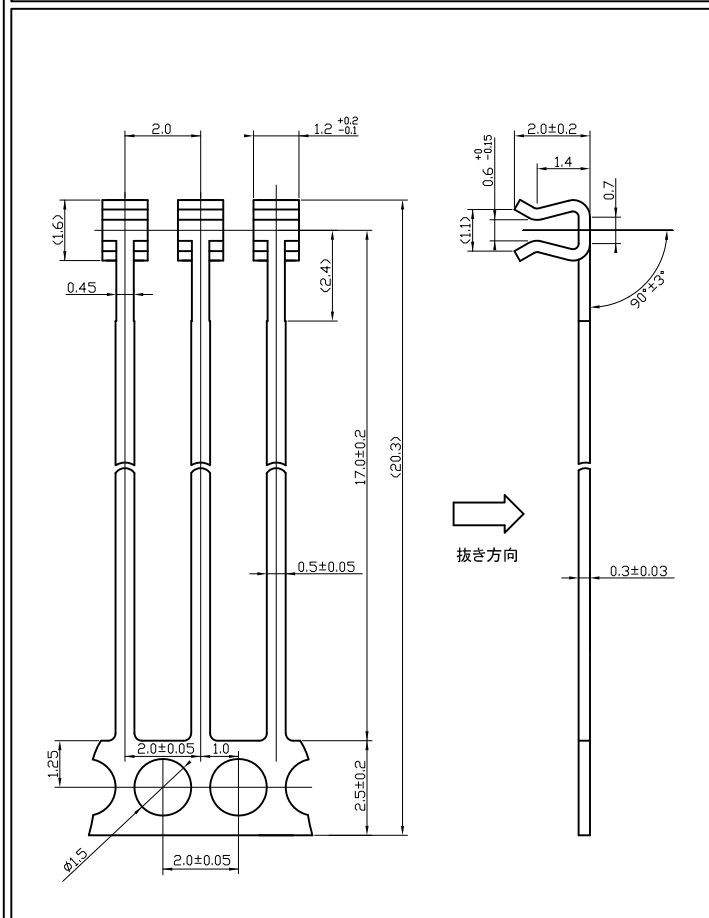
L18-45



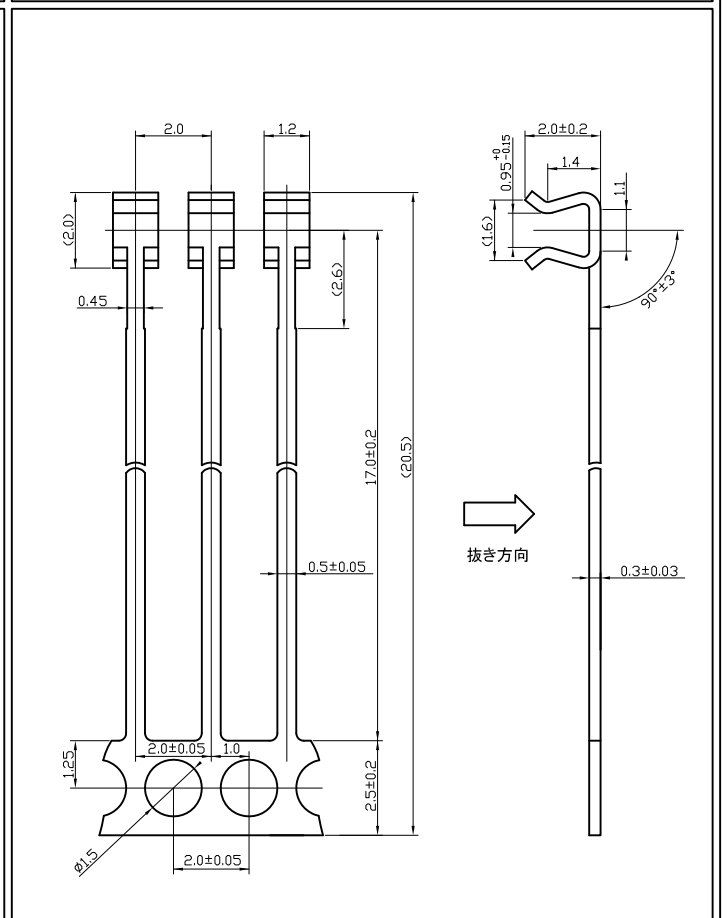
L18-45S-0.7



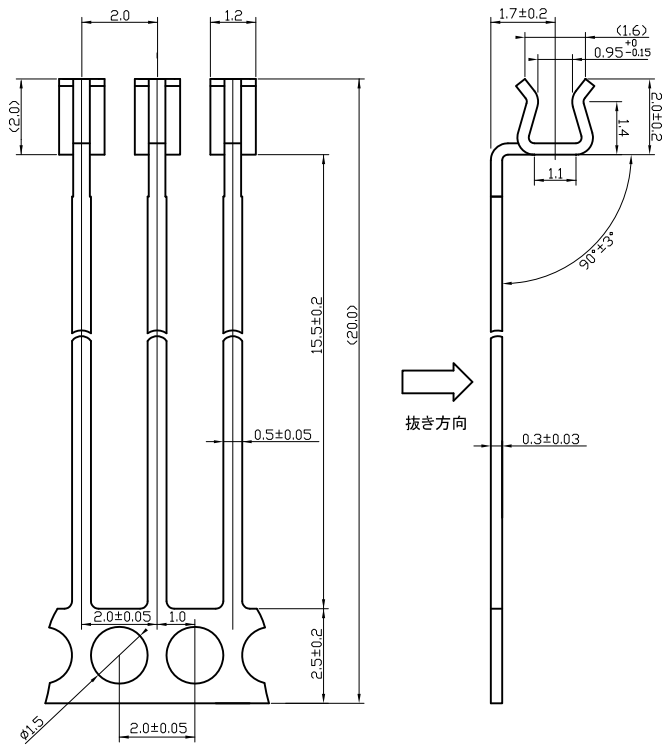
L18-45 II



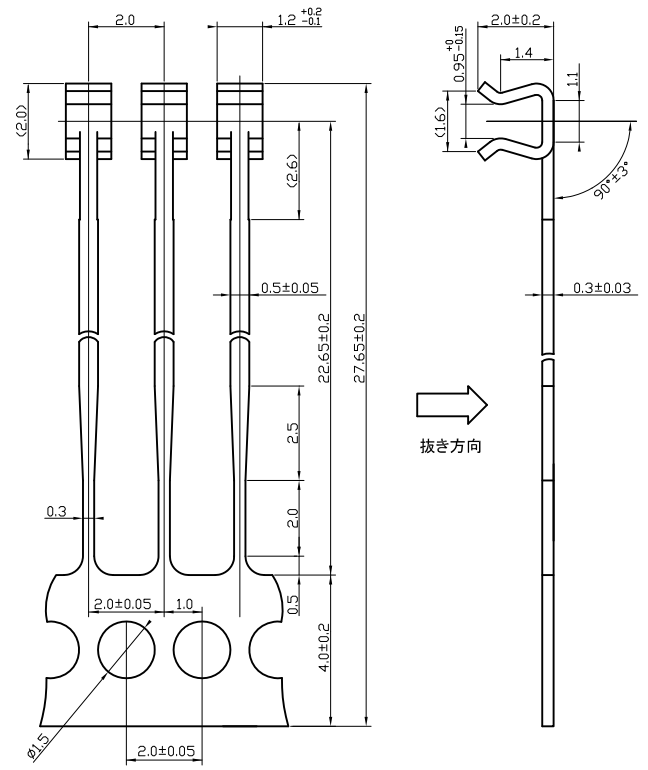
L20-20-0.7



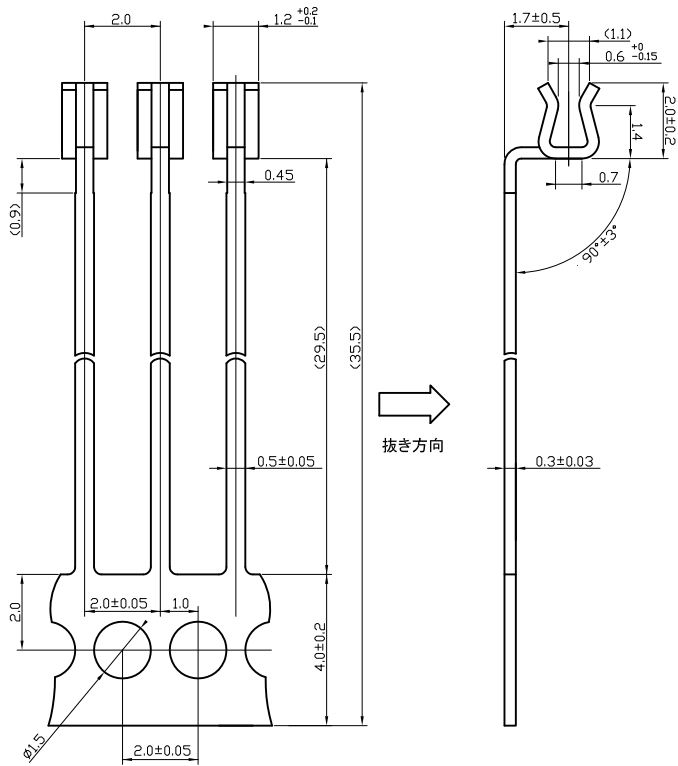
L20-20



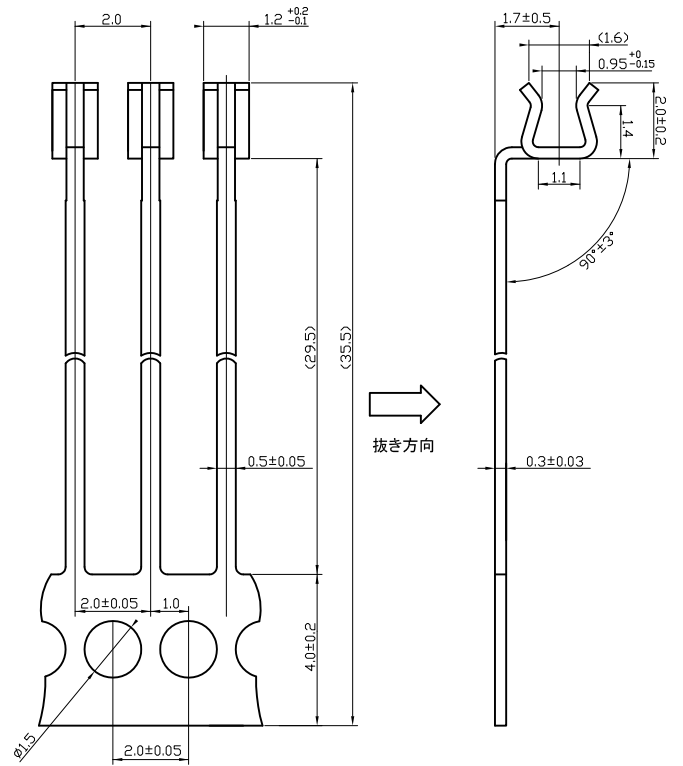
LY20-20



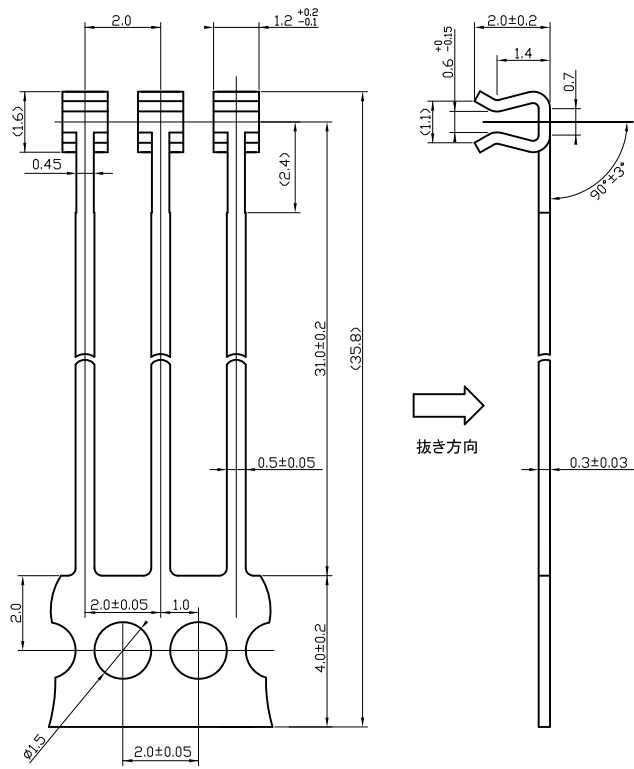
L20-22



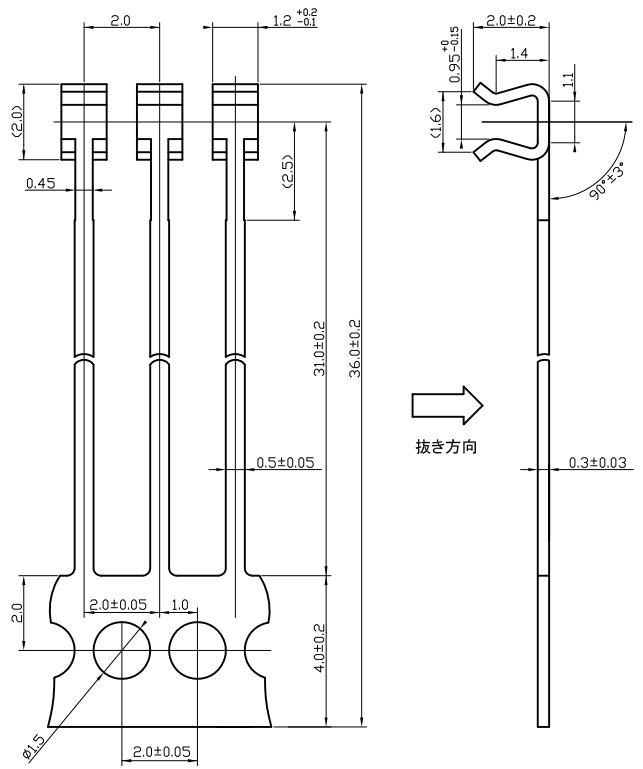
LY20-30-0.7



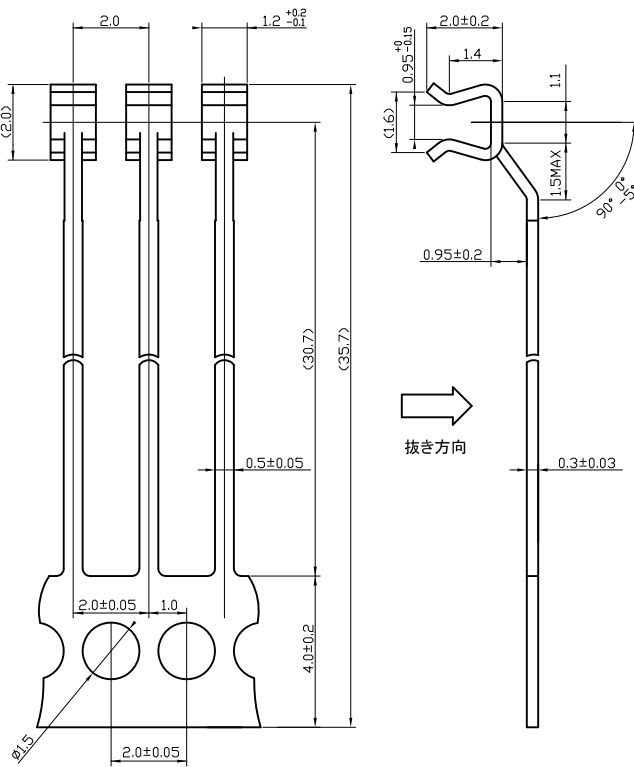
LY20-30



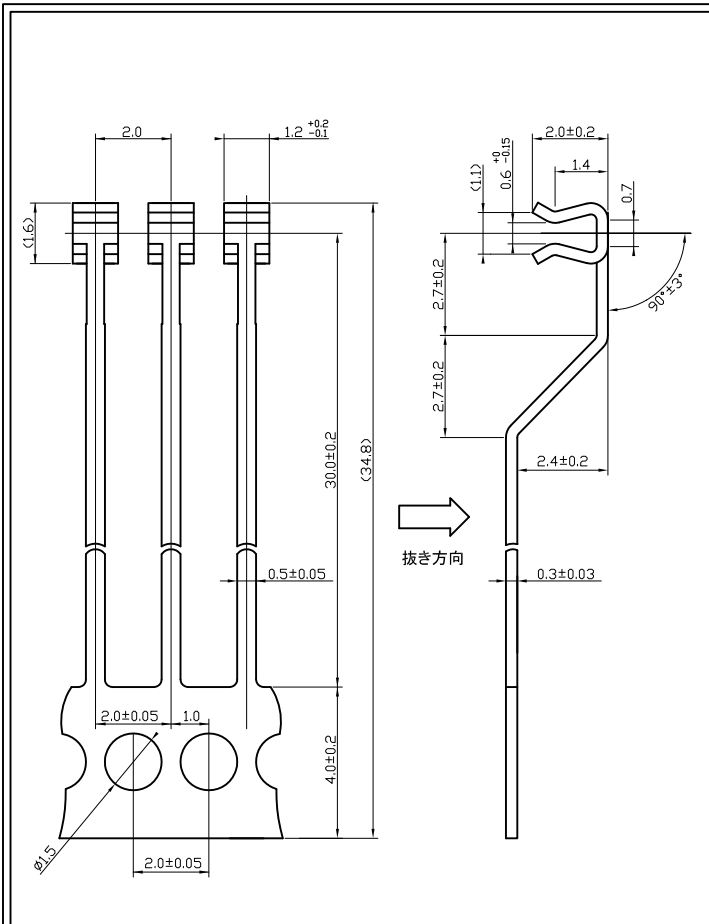
L20-30-0.7



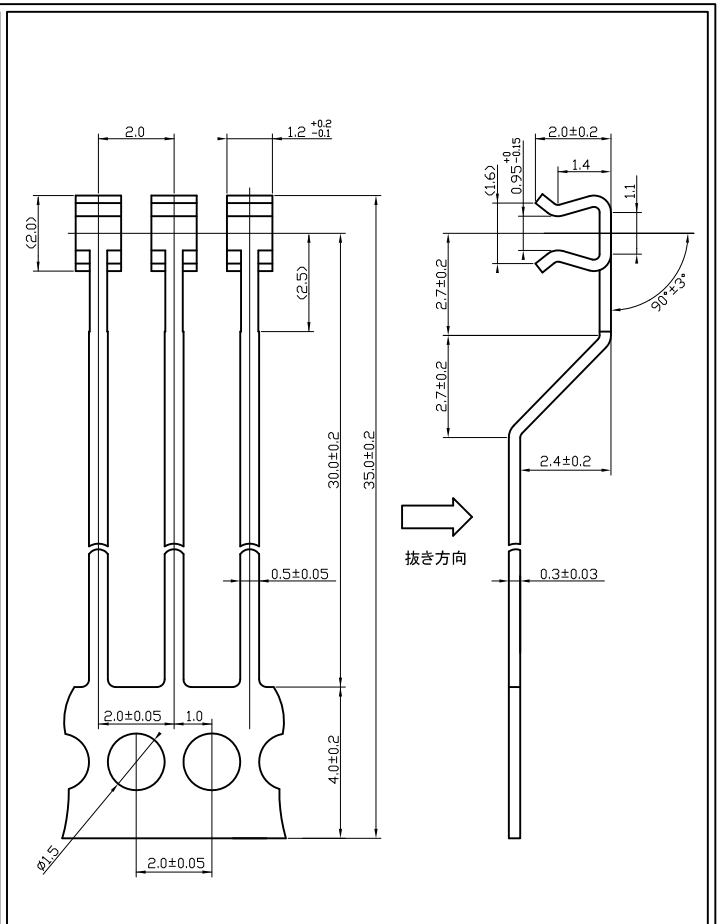
L20-30



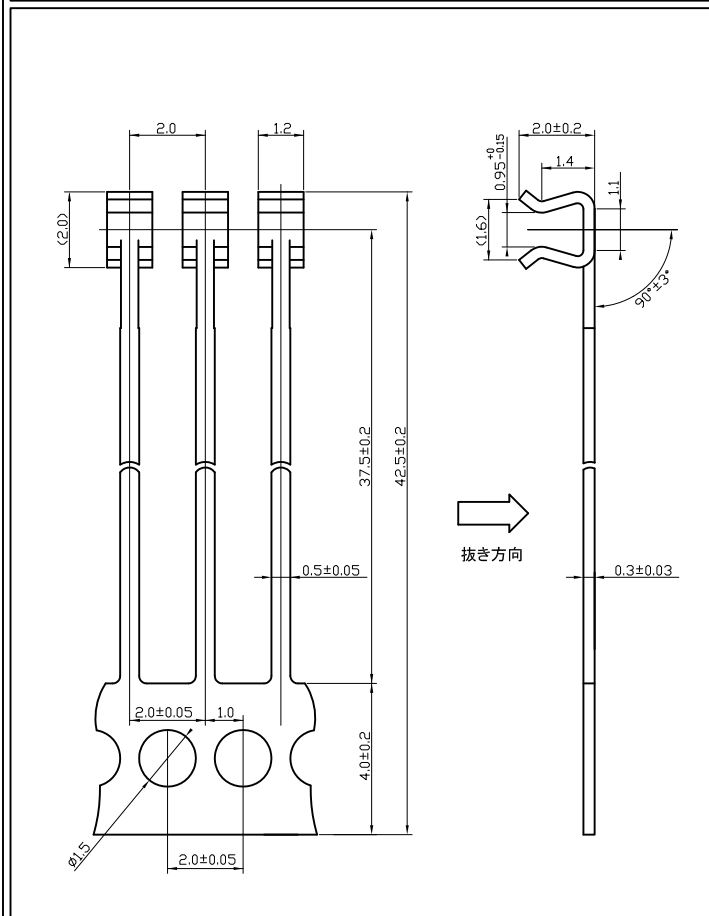
L20-30A



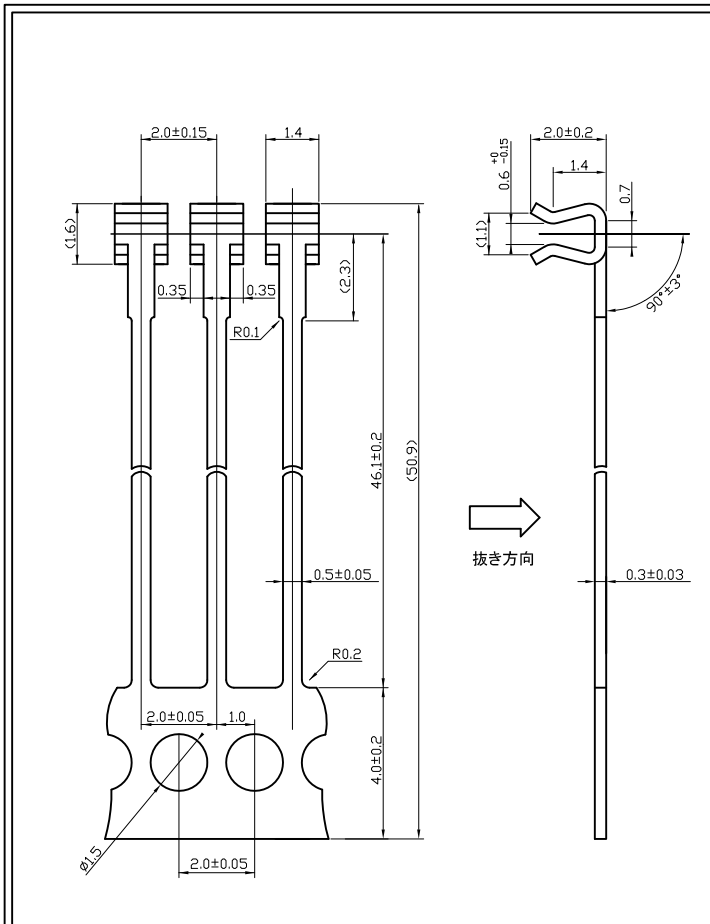
LC20-30-0.7



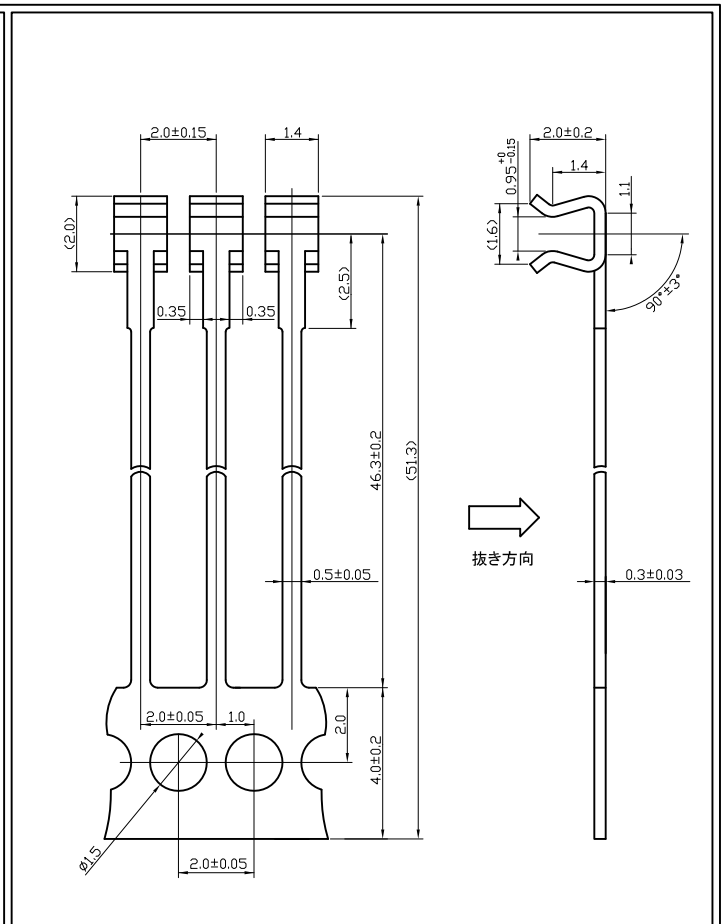
LC20-30



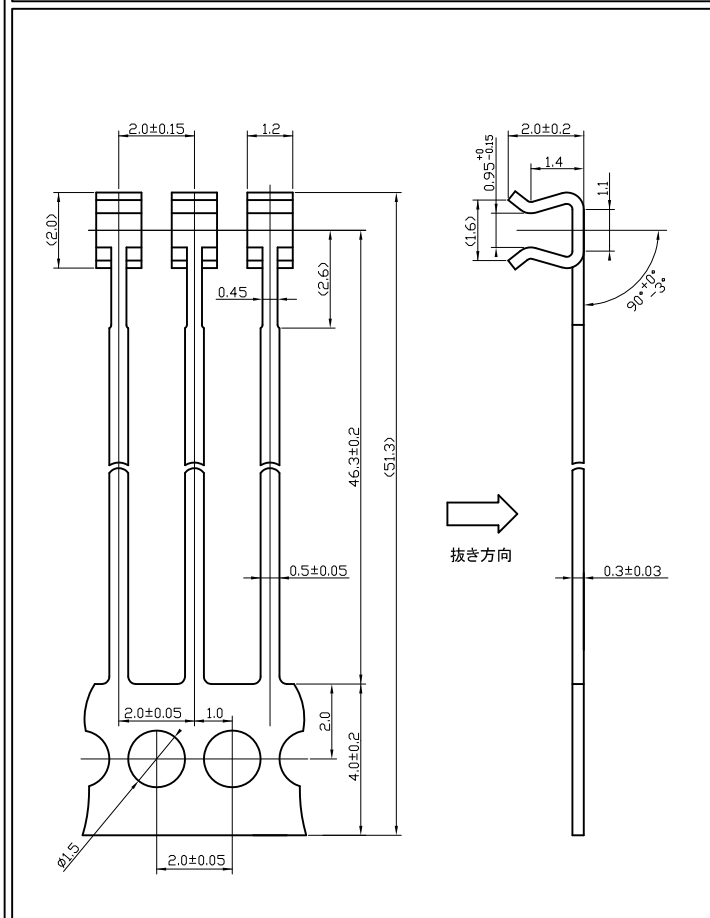
L20-37.5



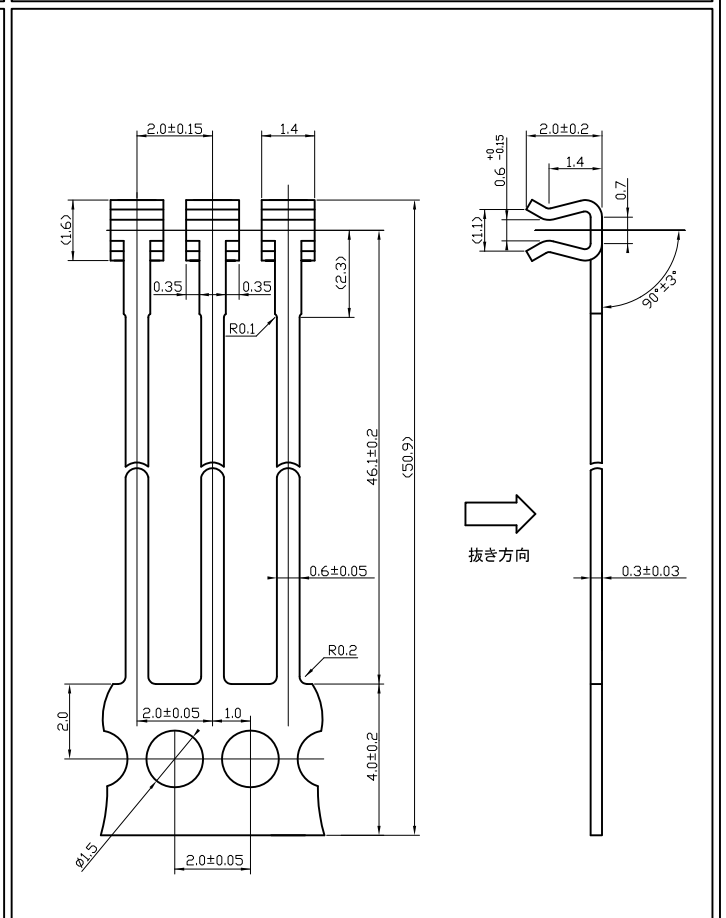
L20-45S-0.7



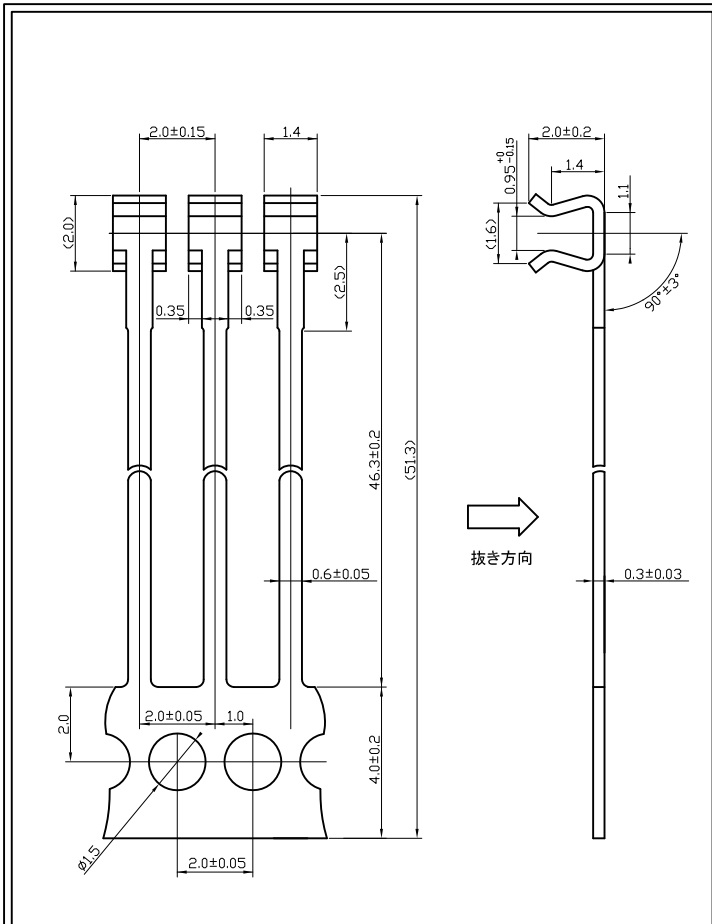
L20-45S



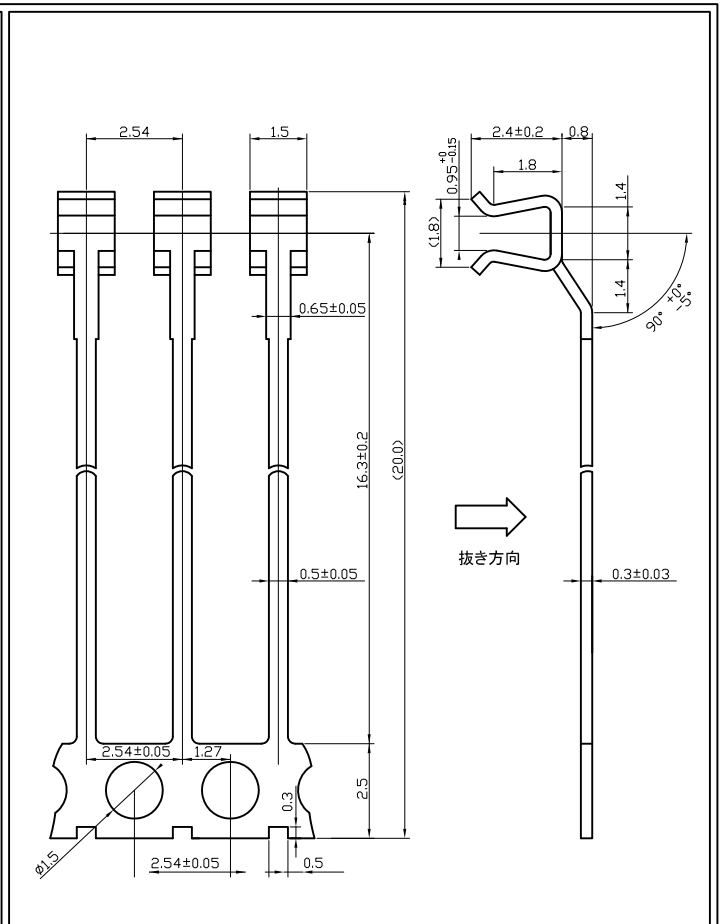
HL20-45S



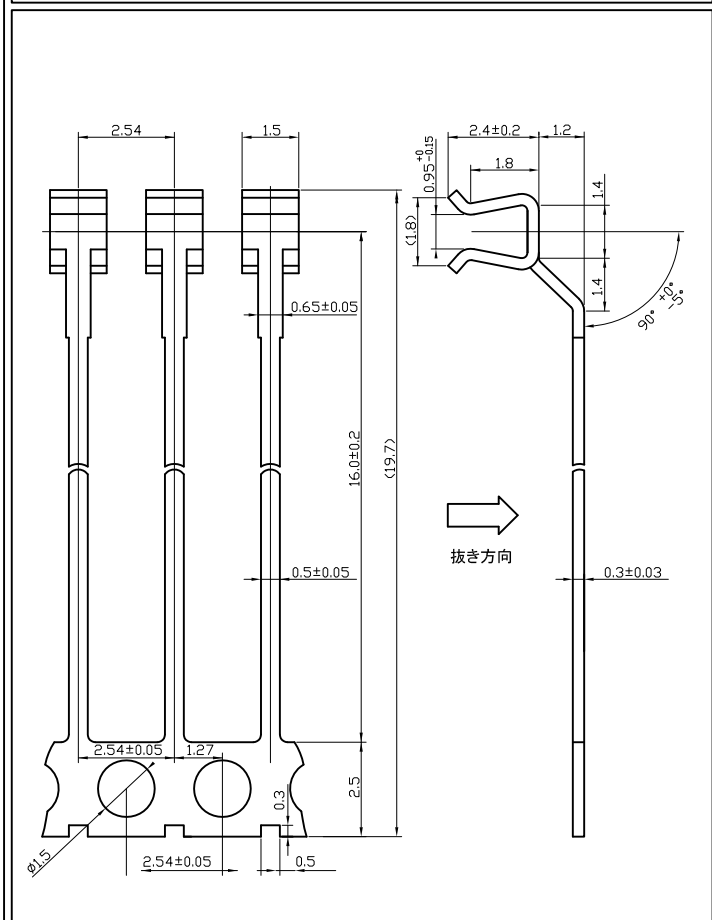
L20-45-0.7



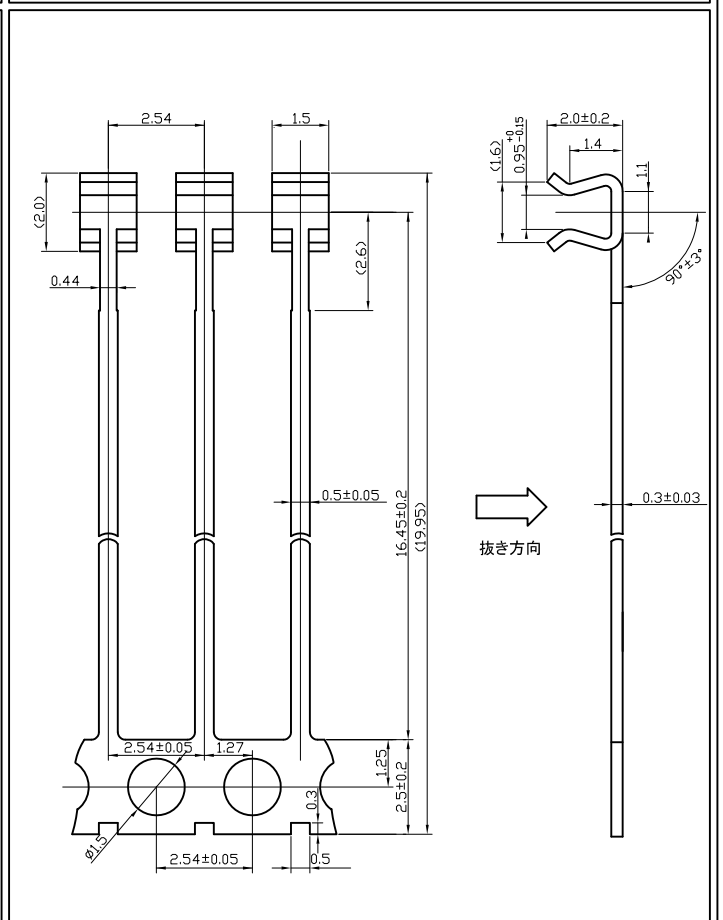
L20-45



L254-15A

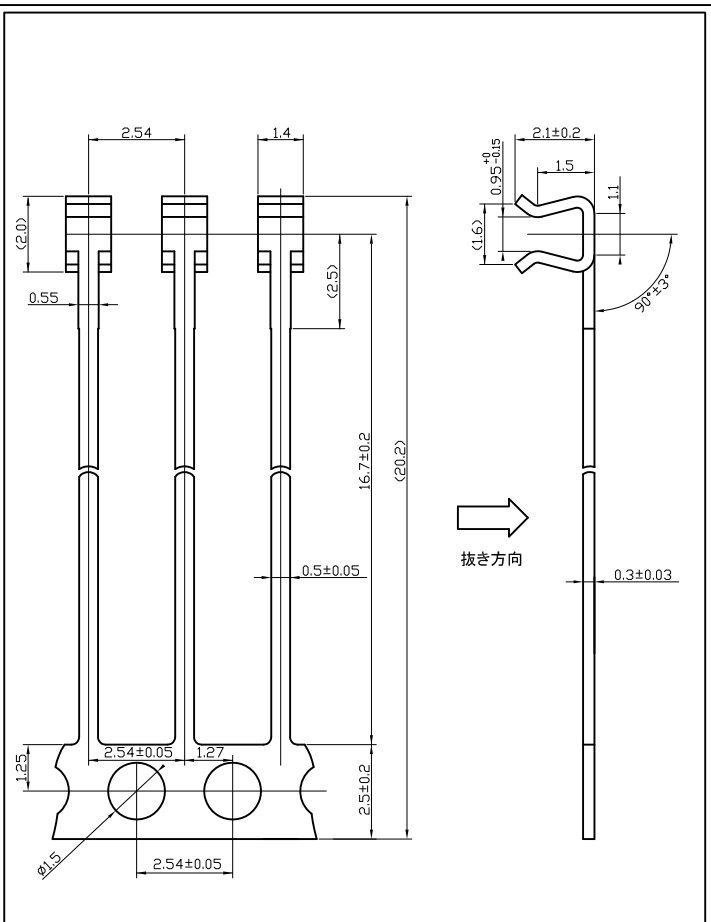
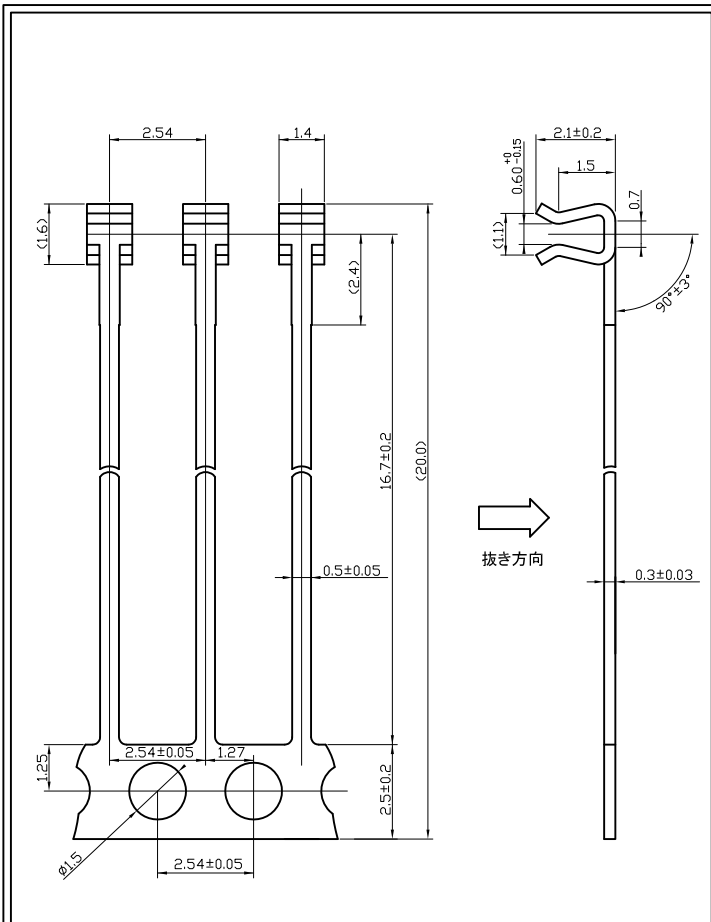


L254-15B



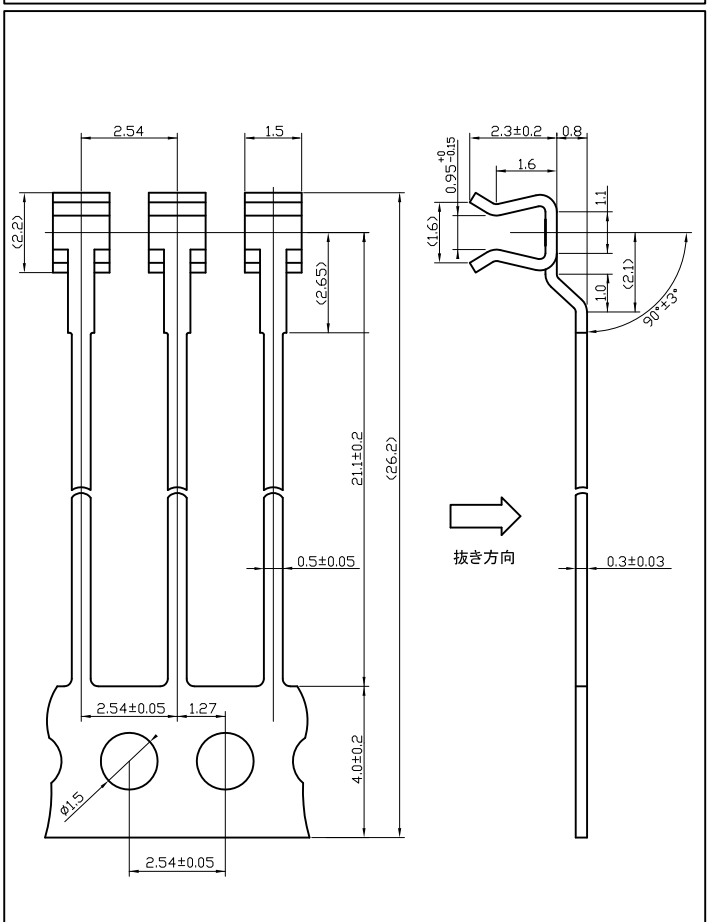
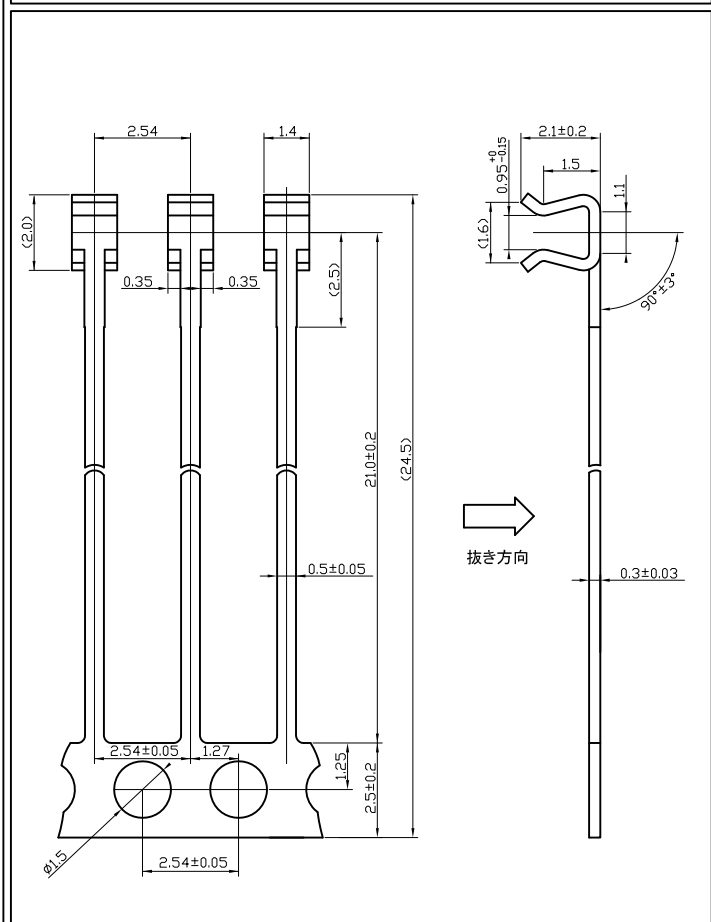
L254-16.4





L254-16.8-0.7

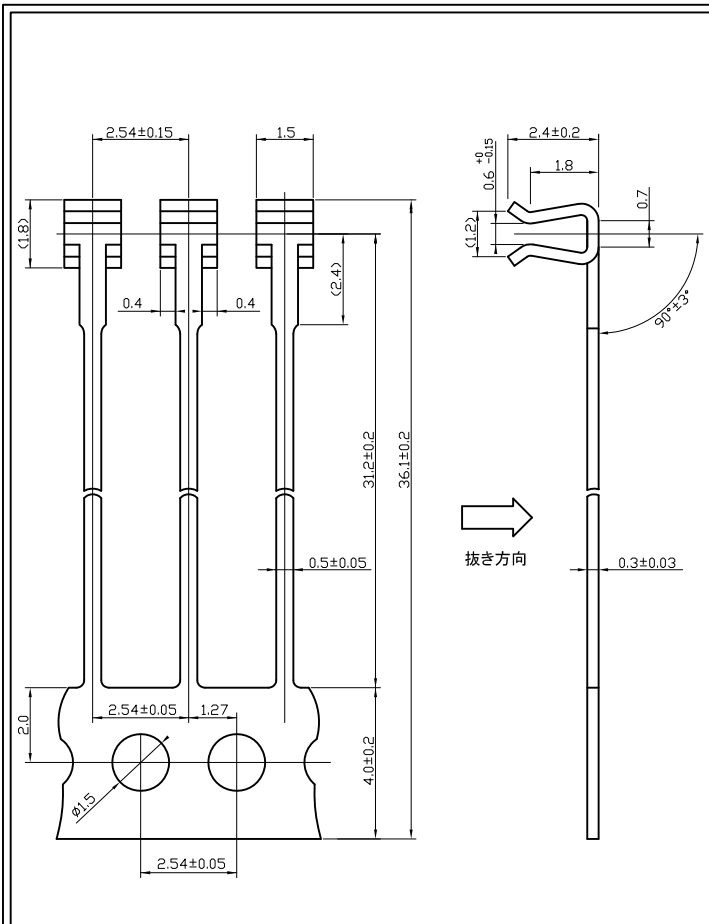
L254-16.8



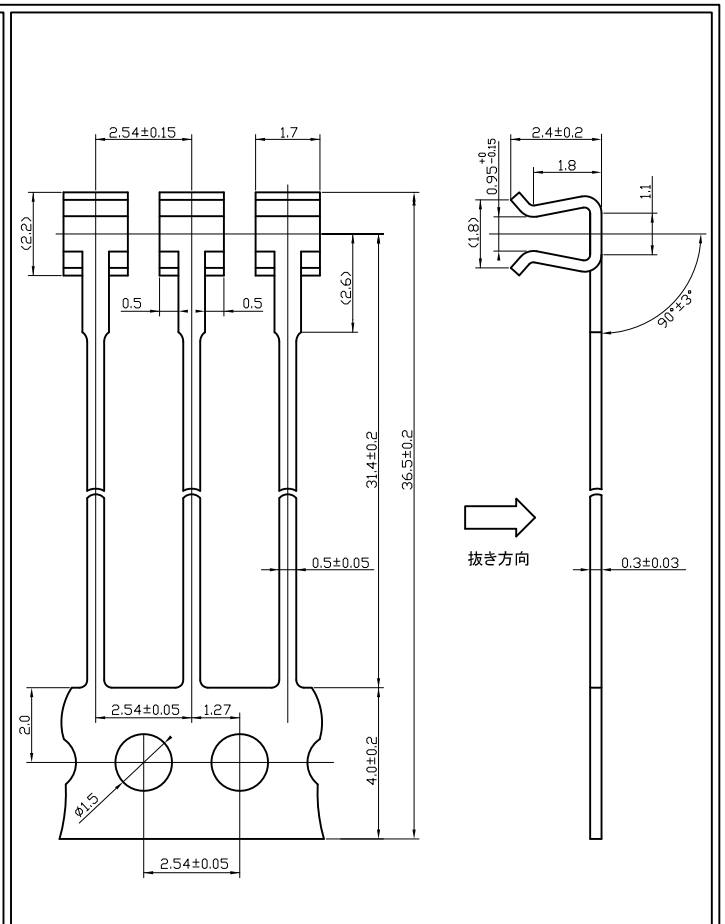
L254-20.5

L254-26A

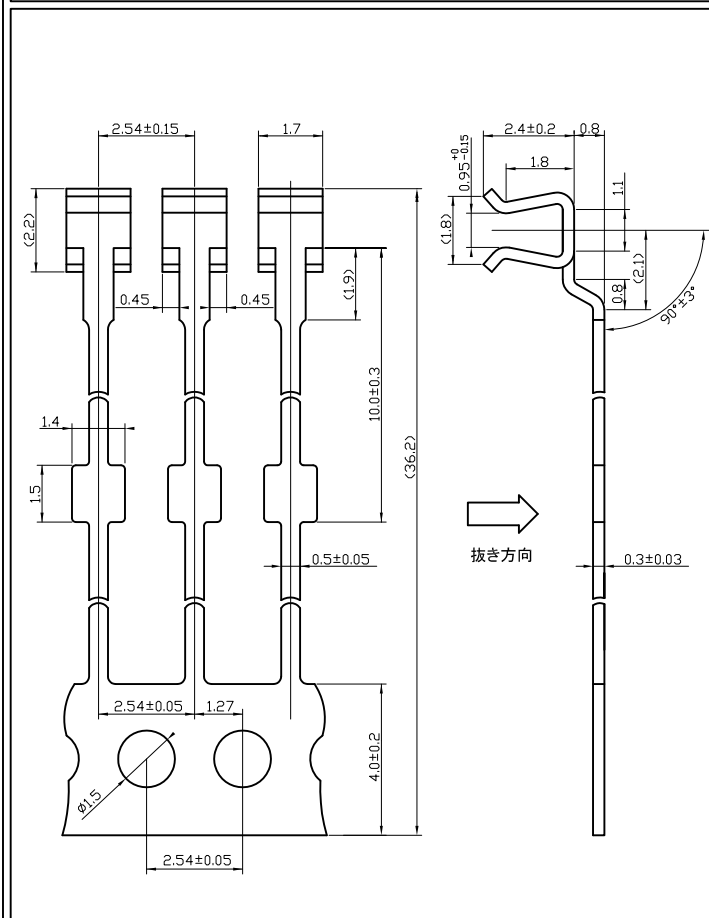




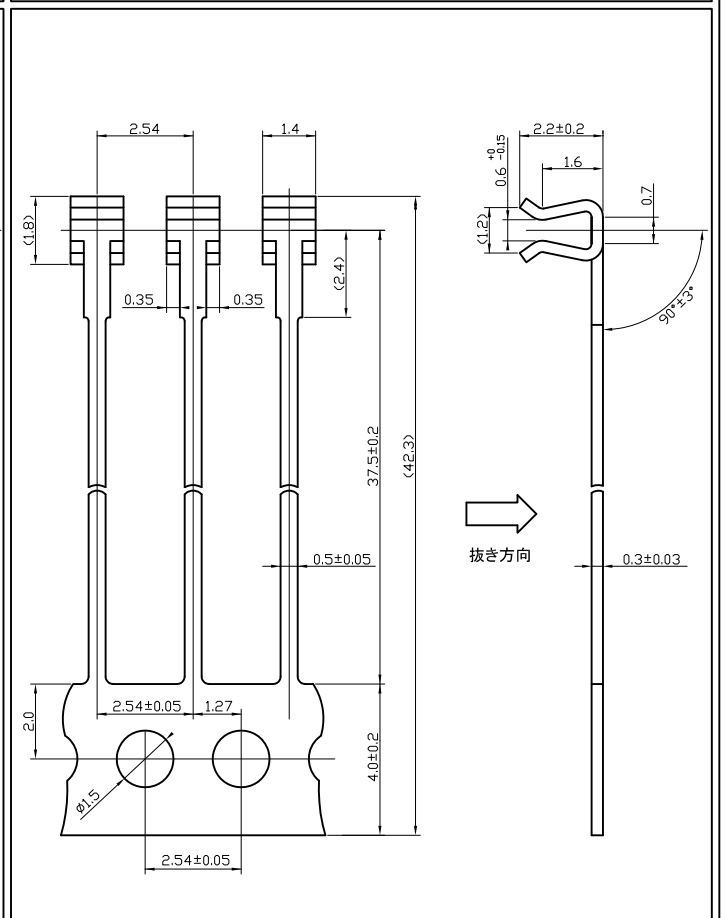
L254-30S-0.7



L254-30S



LS254-30A



L254-37.5S-0.7